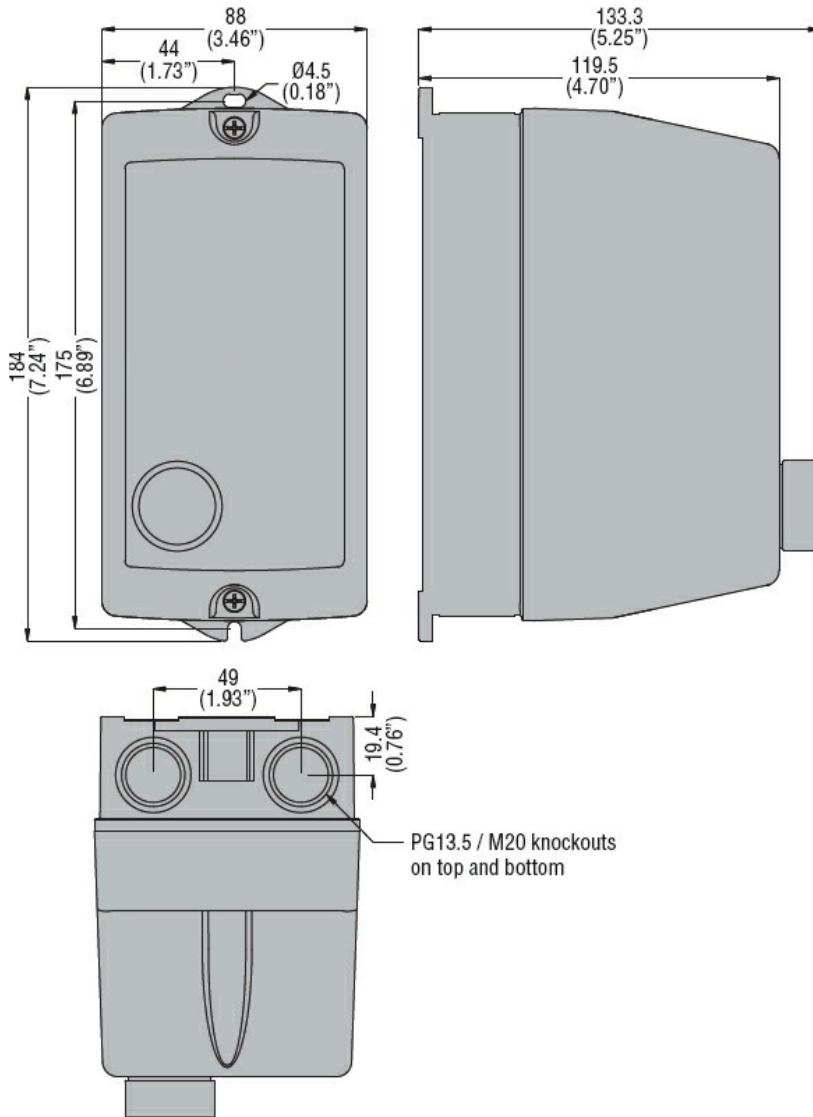
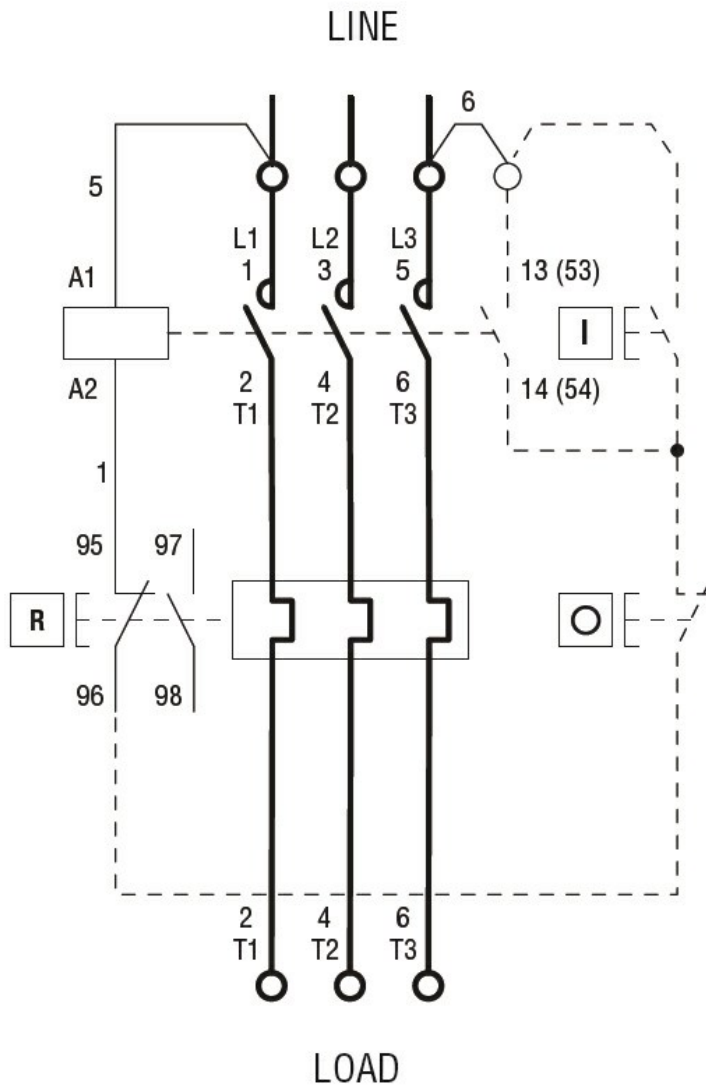




Product designation	Empty enclosures		
Product type designation	MORA		
Electrical features			
Maximum operating current (=440V)	A	12	
Components			
Contactor standard supplied	BG06, BG09, BG12		
Thermal relay to purchase separately	RF9		
Mechanical features			
Weight	g	445	
Ambient conditions			
Operating temperature	min	°C	-25
	max	°C	+60
Storage temperature	min	°C	-40
	max	°C	+70
Resistance & Protection			
Frontal IP degree	IP65		
Dimensions			



Wiring diagrams



R = Reset; I = Start; O = Stop

Certifications and compliance

Compliance

CSA C22.2 n° 14
IEC/EN 60947-1
IEC/EN 60947-4-1
UL508

Certificates

cULus

ETIM classification

ETIM 8.0

EC000200 -
Enclosure for
control circuit
devices